



**ÖZEL RAY SİSTEMİ  
3 BÖLMELİ  
MONTAJ KILAVUZU**

**ASSEMBLING INSTRUCTIONS  
SPECIAL RAIL SYSTEM  
3 PARTITION**

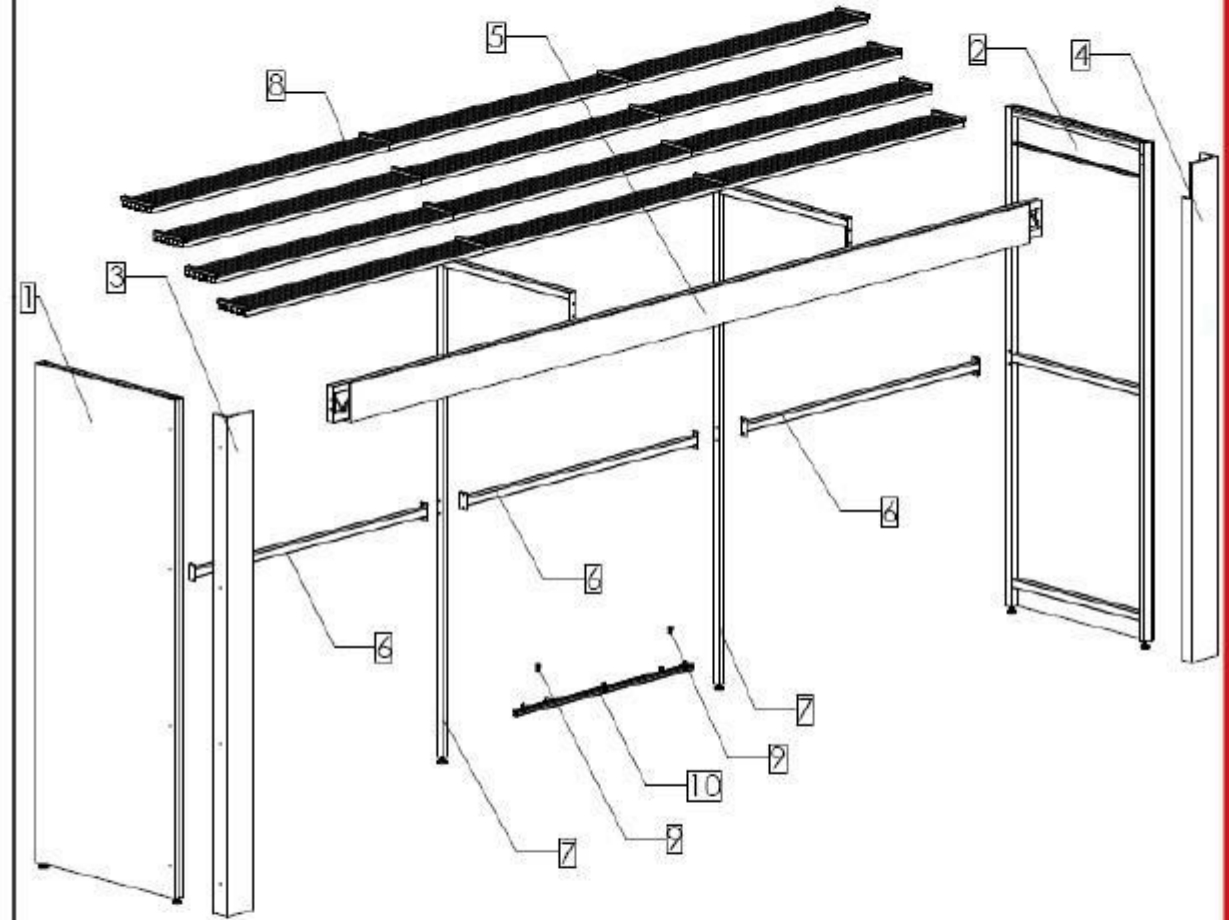


Akdeniz Cam, Alüminyum ve Metal San. Tic. A.Ş.  
Ağaç İşleri Sanayi Sitesi  
Başkişla Sk. No:74 / 76  
Konya / Türkiye  
Tel : +90.332.236 6166  
Fax : +90.332.235 3877  
www.akdenizhali.com  
info@akdenizhali.com

**İçindekiler ... Index**

<b>PARÇA TANIMLARI</b> <b>PARTS DESCRIPTIONS</b>	<b>1</b>
<b>ALIN MONTAJI</b> <b>ASSEMBLING OF THE FRONT PANEL</b>	<b>2</b>
<b>ORTA TAŞIYICILARIN MONTAJI</b> <b>ASSEMBLING OF THE MIDDLE CARRIERS</b>	<b>3</b>
<b>1. VE 2. KUŞAKLARIN MONTAJI</b> <b>ASSEMBLING OF THE 1ST AND 2ND BELT PROFILE</b>	<b>4</b>
<b>RAYLARIN MONTAJI</b> <b>ASSEMBLING OF THE RAILS</b>	<b>5</b>
<b>3. KUŞAĞIN MONTAJI</b> <b>ASSEMBLING OF THE 3RD BELT PROFILE</b>	<b>6</b>
<b>SAĞ YANAĞIN MONTAJI</b> <b>ASSEMBLING OF THE RIGHT SIDE COAT</b>	<b>7</b>
<b>SOL YANAĞIN MONTAJI</b> <b>ASSEMBLING OF THE LEFT SIDE COAT</b>	<b>8</b>
<b>VIDALARIN SIKILMASI</b> <b>SCREWING THE BOLTS</b>	<b>9</b>
<b>STANDIN Dengeye ALINMASI</b> <b>BALANCING</b>	<b>10</b>
<b>TEKER VE KISKAÇLARIN TAKILMASI</b> <b>ASSEMBLING OF THE WHEELS AND THE CLAMPS</b>	<b>11</b>
<b>HALININ ASILMASI</b> <b>HANGING THE CARPET</b>	<b>12</b>

**PARÇA TANIMLARI ... PARTS DESCRIPTIONS**

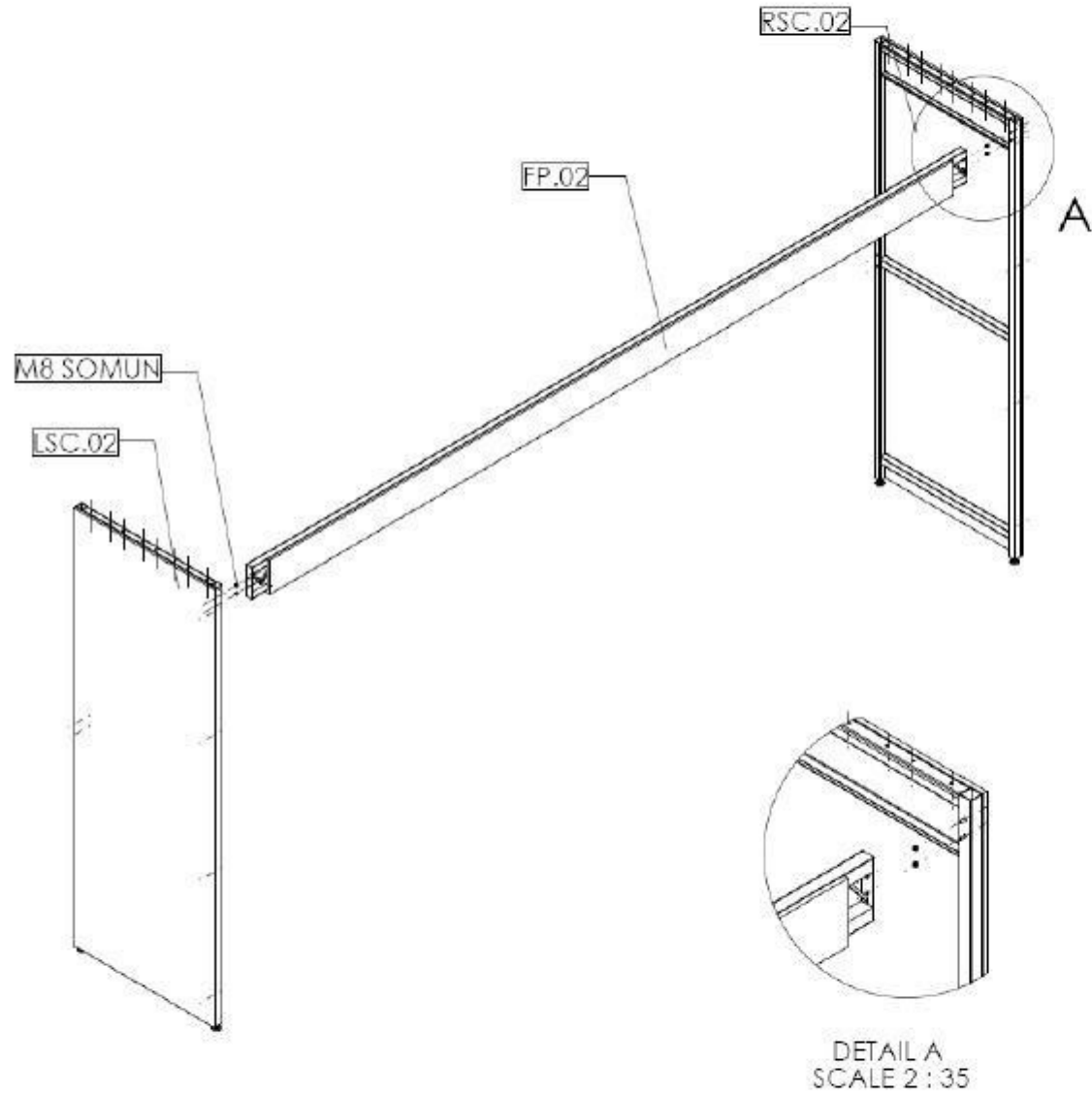


1	<b>SOL YAN TAŞIYICI</b>	<b>LEFT SIDE CARRIER</b>
2	<b>SAĞ YAN TAŞIYICI</b>	<b>RIGHT SIDE CARRIER</b>
3	<b>SOL YANAK</b>	<b>LEFT SIDE COAT</b>
4	<b>SAĞ YANAK</b>	<b>RIGHT SIDE COAT</b>
5	<b>ALIN</b>	<b>FRONT PANEL</b>
6	<b>ORTA KUŞAK PROFİLİ</b>	<b>MIDDLE BELT PROFILE</b>
7	<b>ORTA TAŞIYICI</b>	<b>MIDDLE CARRIER</b>
8	<b>RAY</b>	<b>RAIL</b>
9	<b>TEKER</b>	<b>WHEEL</b>
10	<b>KISKAÇ</b>	<b>CLAMP</b>



**ALIN MONTAJI**

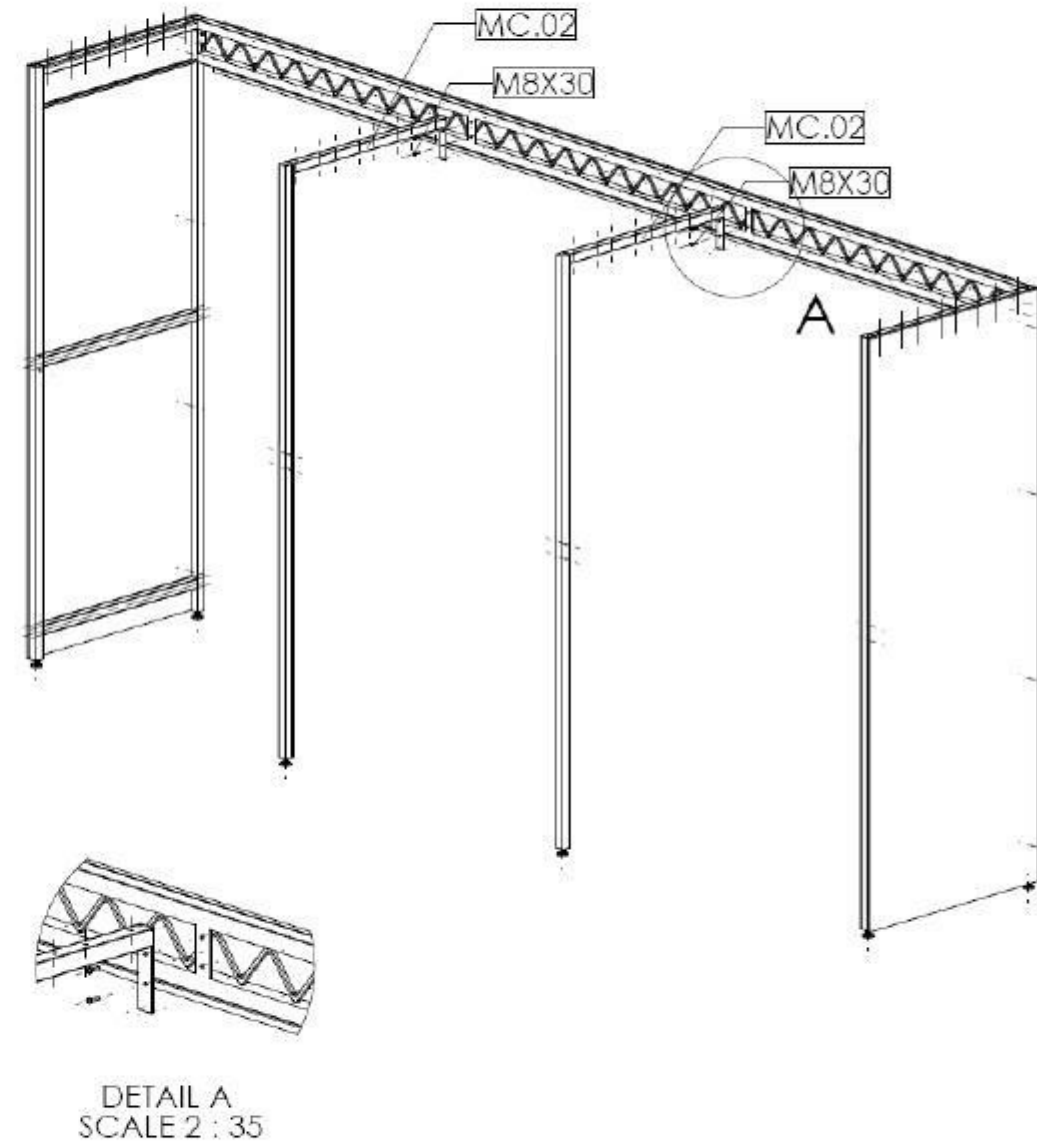
**ASSEMBLING OF THE FRONT PANEL**



PLEASE SCREW THE BOLTS GENTLY.  
LÜTFEN VİDALARI GEVŞEK BIRAKINIZ

**ORTA TAŞIYICILARIN MONTAJI**

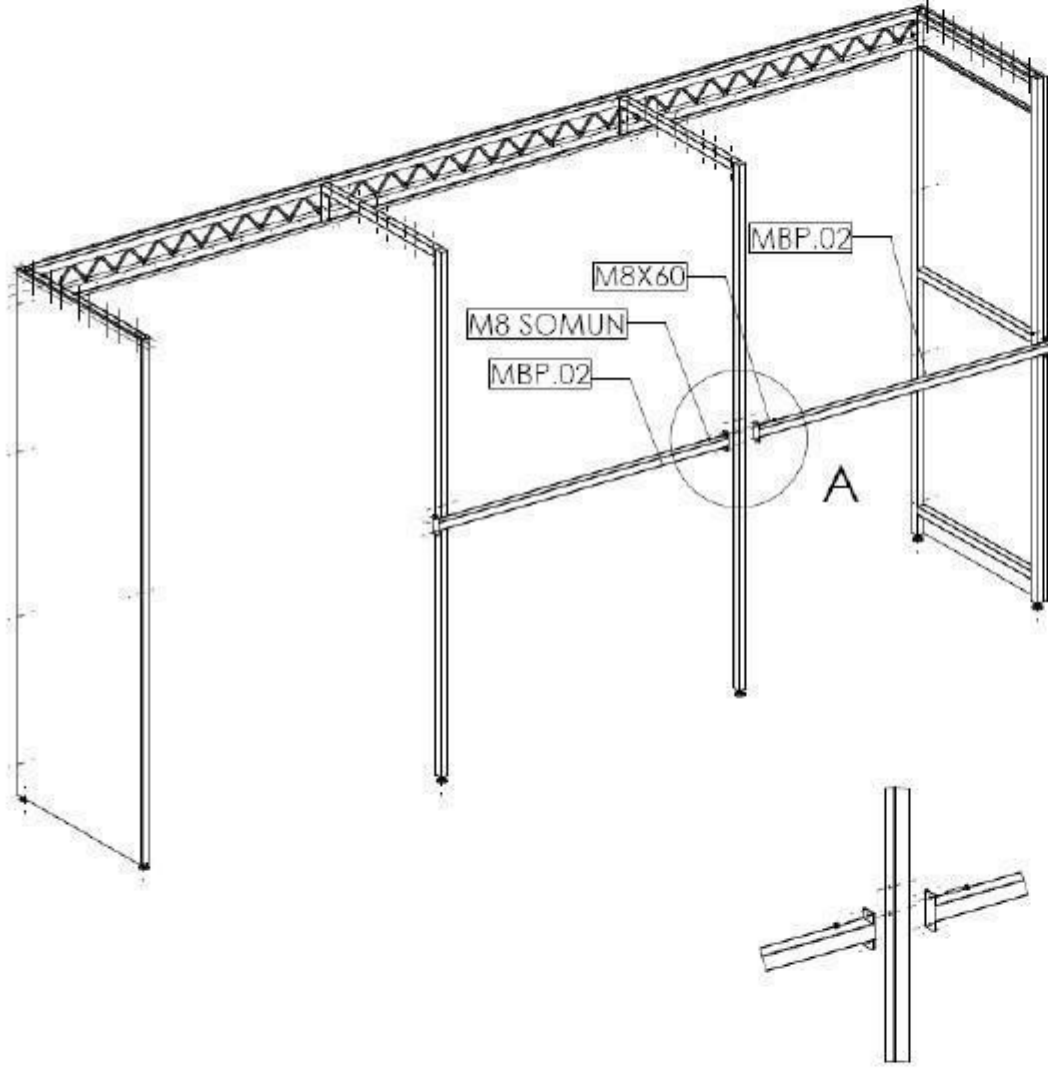
**ASSEMBLING OF THE MIDDLE CARRIERS**



PLEASE SCREW THE BOLTS GENTLY.  
LÜTFEN VİDALARI GEVŞEK BIRAKINIZ

**1. VE 2. KUŞAKLARIN MONTAJI**

**ASSEMBLING OF THE 1ST AND 2ND BELT PROFILE**

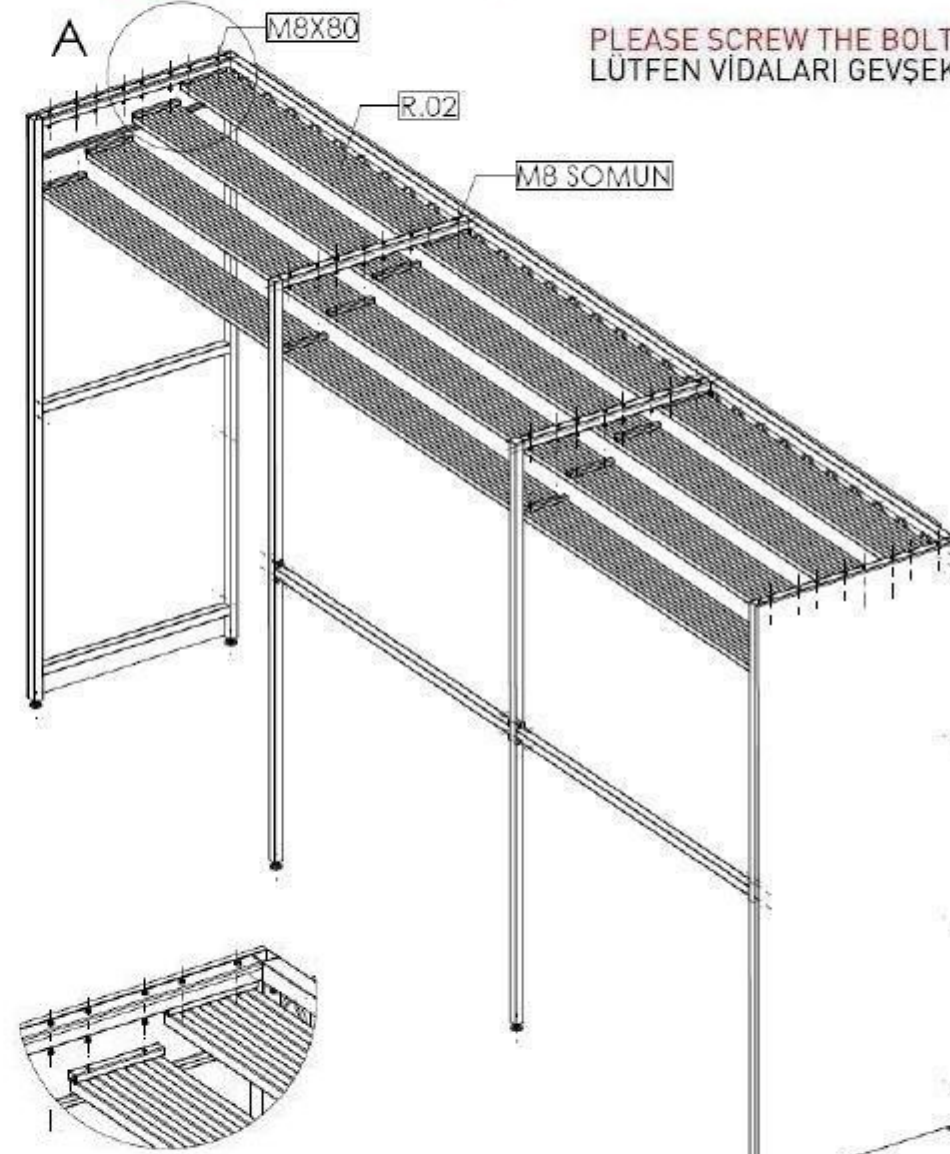


PLEASE SCREW THE BOLTS GENTLY.  
LÜTFEN VİDALARI GEVŞEK BIRAKINIZ

**Özel Ray Sistemi 3 Bölmeli  
Special Rail System 3 Partition**

**RAYLARIN MONTAJI**

**ASSEMBLING OF THE RAILS**



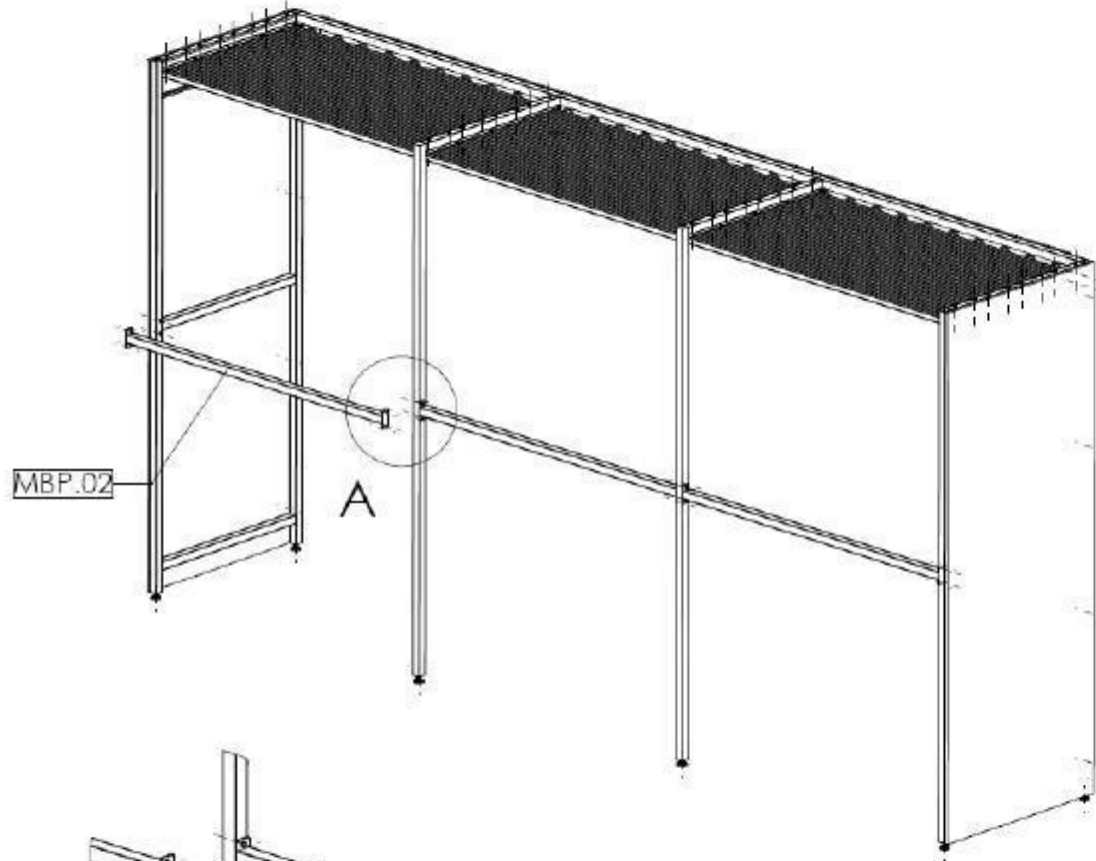
PLEASE SCREW THE BOLTS GENTLY.  
LÜTFEN VİDALARI GEVŞEK BIRAKINIZ

PLEASE ASSEMBLE WHEELS ON THE RAILS BEFORE ASSEMBLING THE RAILS  
LÜTFEN RAYLARI MONTAJ ETMEDEN TEKERLERİ RAYLARA TAKINIZ.



### 3. KUŞAĞIN MONTAJI

#### ASSEMBLING OF THE 3RD BELT PROFILE

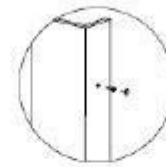
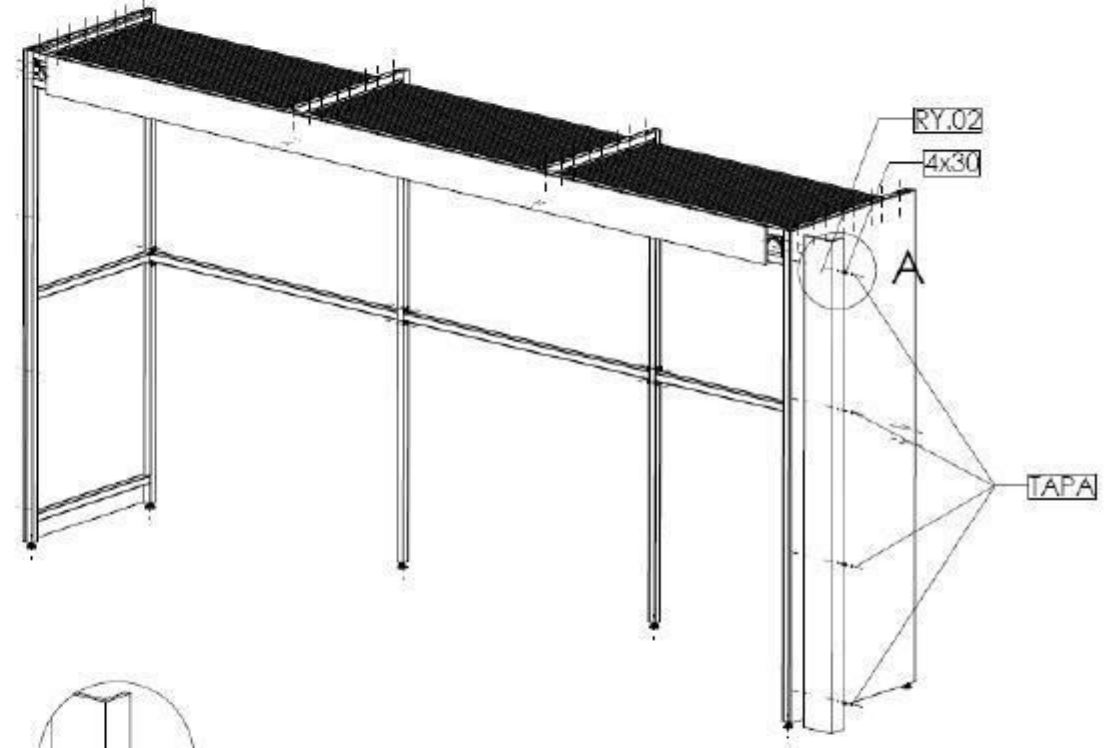


DETAIL A  
SCALE 2 : 35

PLEASE SCREW THE BOLTS GENTLY,  
LÜTFEN VIDALARI GEVŞEK BIRAKINIZ

### SAĞ YANAĞIN MONTAJI

#### ASSEMBLING OF THE RIGHT SIDE COAT

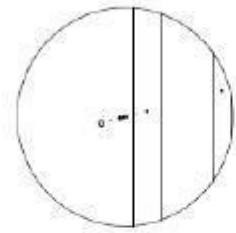
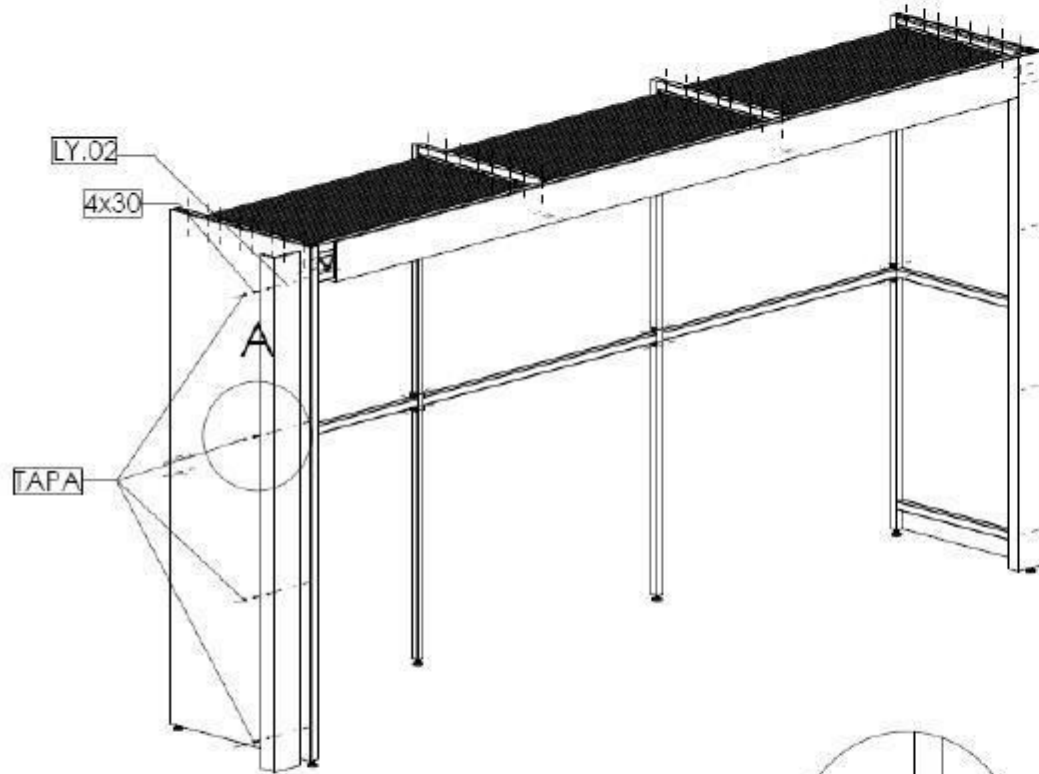


DETAIL A  
SCALE 2 : 35

PLEASE SCREW THE BOLTS TIGHTLY,  
LÜTFEN VIDALARI SERTÇE SIKINIZ,  
PLEASE STICK THE PLUGS ON THE SCREW HOLES,  
LÜTFEN VIDALARIN ÜSTÜNE TAPALARI YAPIŞTIRINIZ.

**SOL YANAĞIN MONTAJI**

**ASSEMBLING OF THE LEFT SIDE COAT**

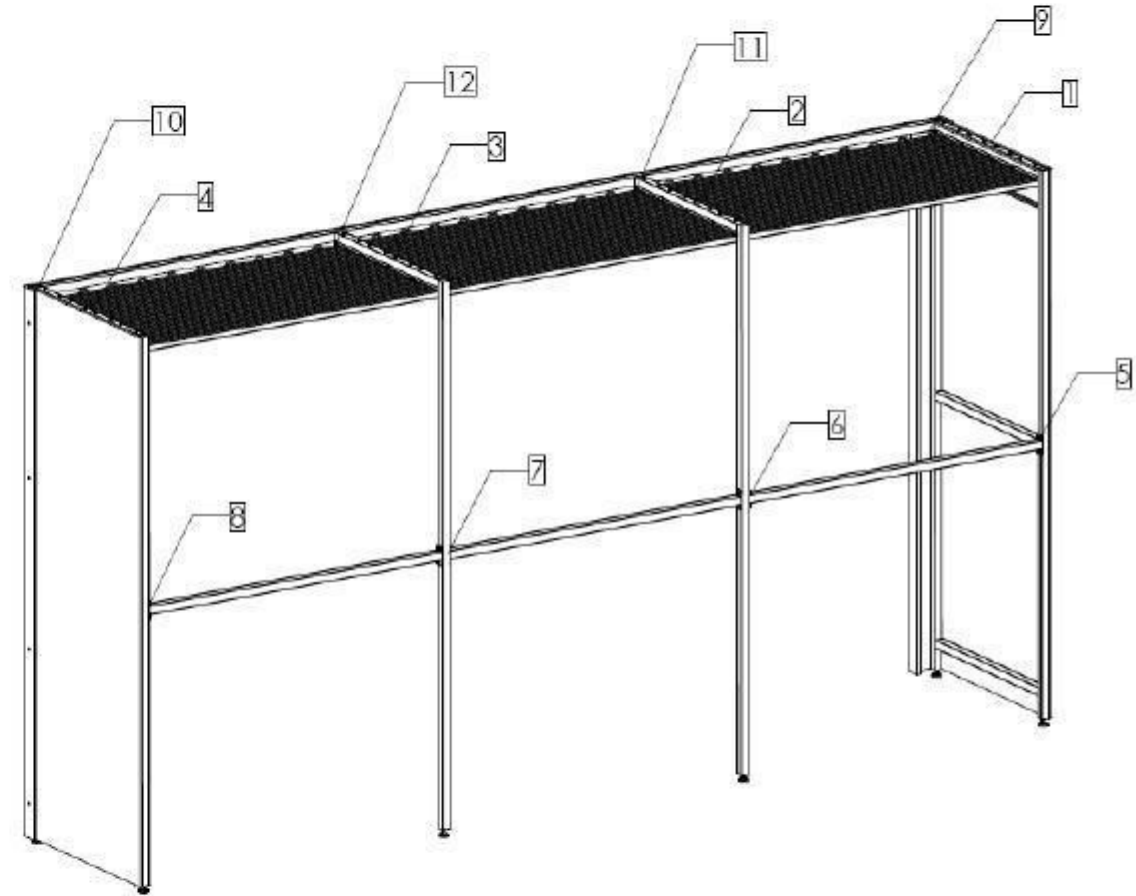


DETAIL A  
SCALE 2 : 35

PLEASE SCREW THE BOLTS TIGHTLY,  
LÜTFEN VİDALARI SERTÇE SIKINIZ,  
PLEASE STICK THE PLUGS ON THE SCREW HOLES.  
LÜTFEN VİDALARIN ÜSTÜNE TAPALARI YAPIŞTIRINIZ.

**VIDALARIN SIKILMASI**

**SCREWING THE BOLTS**

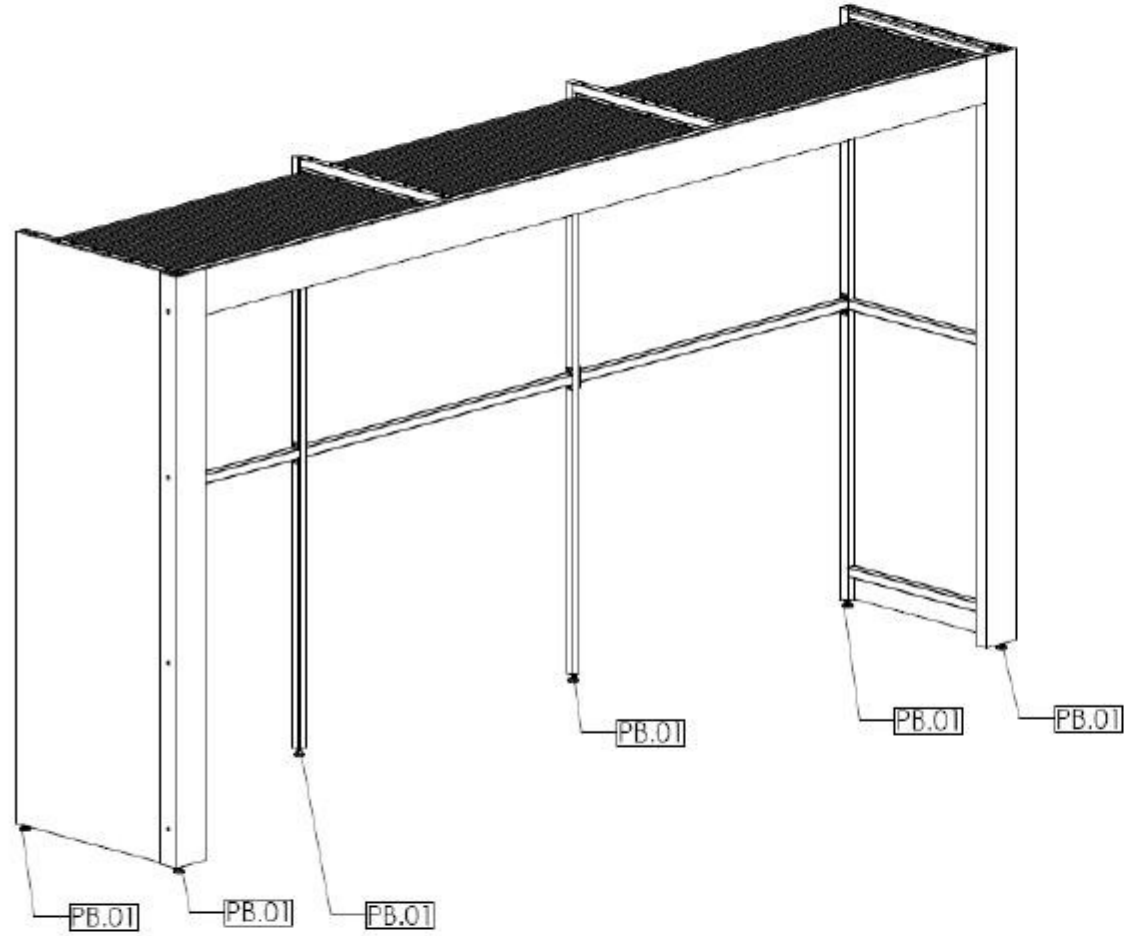


PLEASE SCREW THE BOLTS TIGHTLY IN ORDER TO THE SCHEME,  
LÜTFEN VİDALARI ŞEMADA BELİRTİLEN SIRAYA UYGUN OLARAK SIKINIZ.



● **STANDIN DENGEYE ALINMASI**

● **BALANCING**



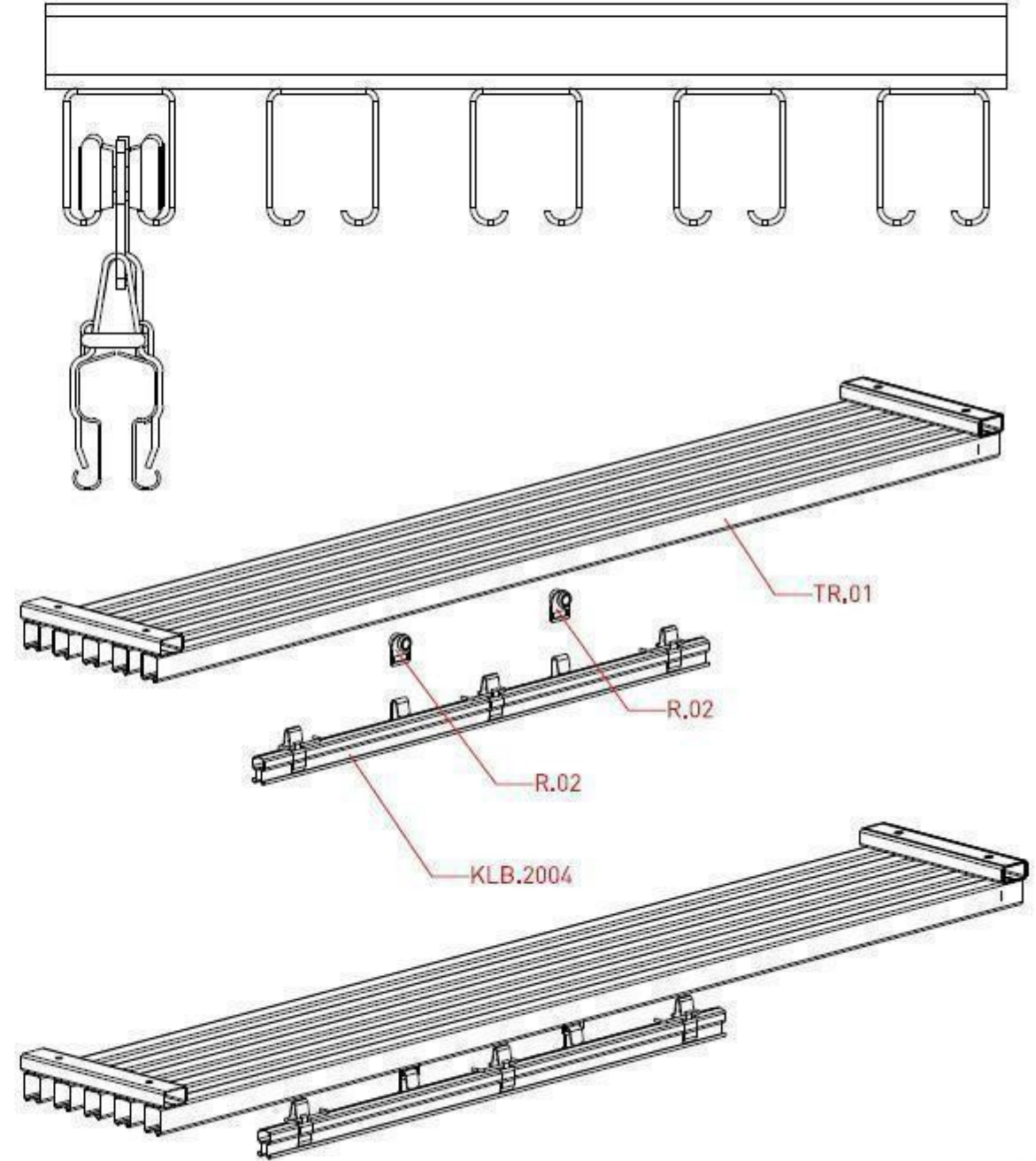
PLEASE BALANCE THE STAND BY  
ADJUSTING THE PLASTIC BASES.

LUTFEN STANDI PLASTİK AYAKLARINI  
AYARLAYARAK DENGEYE ALINIZ.

**Özel Ray Sistemi 3 Bölmeli**  
**Special Rail System 3 Partition**

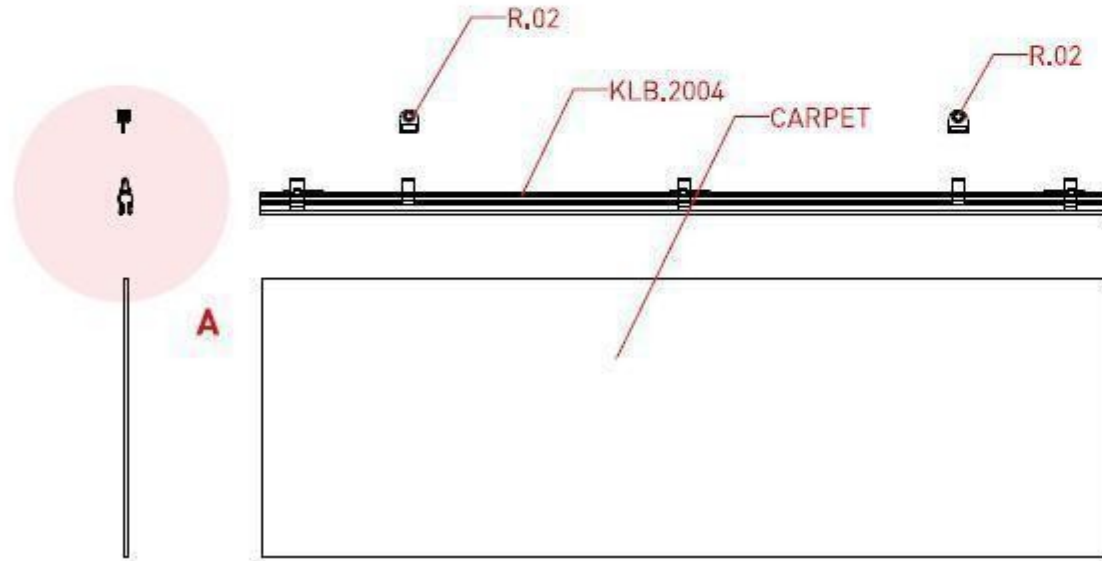
● **TEKER VE KISKAÇLARIN TAKILMASI**

● **ASSEMBLING OF THE WHEELS AND THE CLAMPS**

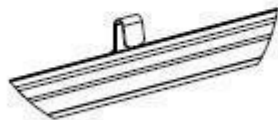


**HALININ ASILMASI**

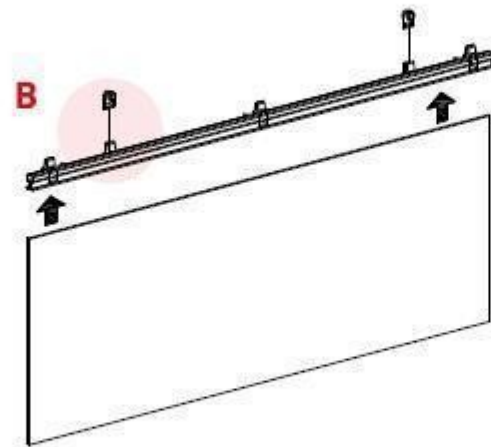
**HANGING THE CARPET**



DETAIL A



DETAIL B



**DİKKAT;**  
BU KILAVUZDA YANSITILMAMIŞ HERHANGİ BİR DEĞİŞİKLİK  
FARKEDERSENİZ, LÜTFEN TEKNİK DEPARTMANIMIZLA İRTİBAT  
KURUNUZ.

AKDENİZ A.Ş. AÇIKLAMALARDA BELİRTİLEN MONTAJ SIRASINA  
UYULMADIĞI TAKTİRDE OLUŞABİLECEK HERHANGİ BİR ZARARDAN  
SORUMLU DEĞİLDİR.

AKDENİZ A.Ş. BU KILAVUZDA BELİRTİLEN ÜRÜN MODELİNDE VE  
DİĞER MODELLERİNDE ÖNCEDEN HABER VERMEDEN DEĞİŞİKLİK  
YAPMA HAKKINI SAKLI TUTAR.

**ATTENTION;**  
ANY TYPE OF MODIFICATION NOT REFLEXED ON THIS MANUAL, IT  
SHOULD BE NOTIFIED TO OUR TECHNICAL DEPARTMENT.

AKDENİZ A.Ş. DECLINES ALL RESPONSIBILITY IN THE CASE OF  
DAMAGES PRODUCED IN THE INSTALLATION IF THE INSTRUCTIONS  
GIVEN HAVE NOT BEEN FOLLOWED.

AKDENİZ A.Ş. RESERVES THE RIGHTS TO MODIFY THE PRODUCTS  
SPECIFICATIONS OF THIS TECHNICAL BROCHURE WITHOUT ANY  
PREVIOUS ADVICE.