



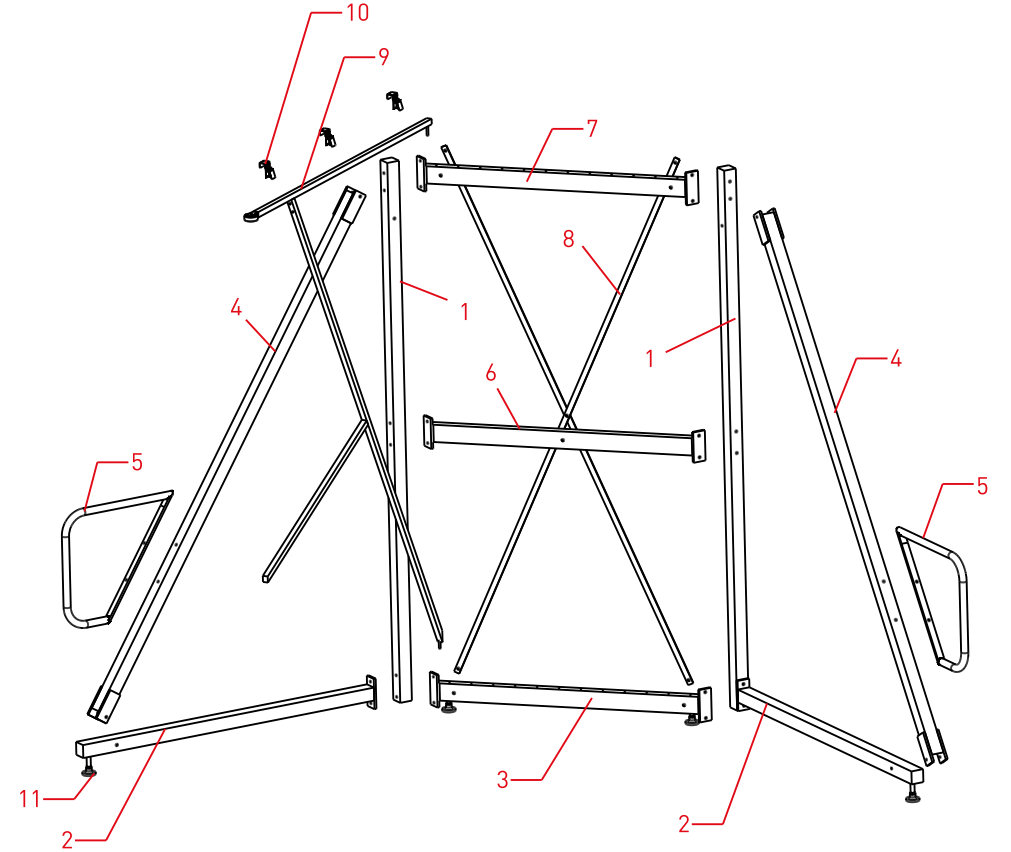
**KİTAP SİSTEMİ  
MONTAJ KILAVUZU**

**ASSEMBLING INSTRUCTIONS  
FOR BOOK SYSTEM**

## İçindekiler ... Index

PARÇA TANIMLARI PARTS DESCRIPTIONS	1
SOL YAN AYAK VE DİKME PROFİLİ MONTAJI ASSEMBLING OF LEFT SIDE BASE AND STRAIGHT PROFILE	2
SAĞ YAN AYAK VE DİKME PROFİLİ MONTAJI ASSEMBLING OF RIGHT SIDE BASE AND STRAIGHT PROFILE	3
ÜST KUŞAK PROFİLİNİN MONTAJI ASSEMBLING OF UPPER BELT PROFILE	4
ORTA KUŞAK PROFİLİNİN MONTAJI ASSEMBLING OF MIDDLE BELT PROFILE	5
ÇAPRAZ KUŞAKLARIN MONTAJI ASSEMBLING OF CROSSWISE BELTS	6
SAĞ YAN DESTEK PROFİLİNİN MONTAJI ASSEMBLING OF RIGHT SIDE SUPPORTER PROFILE AND HOLDER	7
SOL YAN DESTEK PROFİLİNİN MONTAJI ASSEMBLING OF LEFT SIDE SUPPORTER PROFILE AND HOLDER	8
VİDALARIN SIKILMASI VE DENGEYE ALMA SCREWING THE BOLTS AND BALANCING	9
TAŞIYICI KOLLARIN HAZIRLANMASI PREPARING THE CARRIER ARMS	10
TAŞIYICI KOLLARIN MONTAJI ASSEMBLING OF THE CARRIER ARMS	11
KLİPSLERİN TAKILMASI VE HALİNİN ASILMASI FASTENING THE CLIPS AND HANGING THE CARPET	12

## PARÇA TANIMLARI ... PARTS DESCRIPTIONS



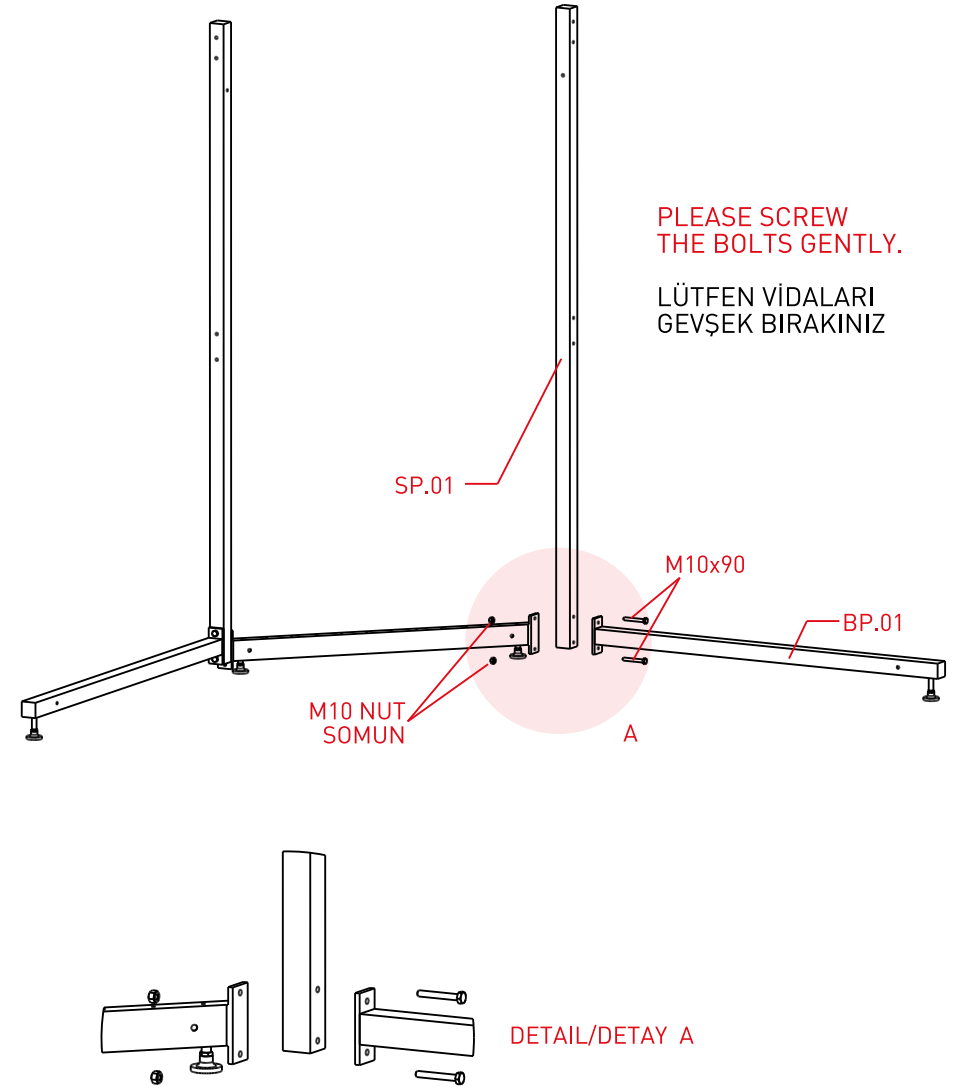
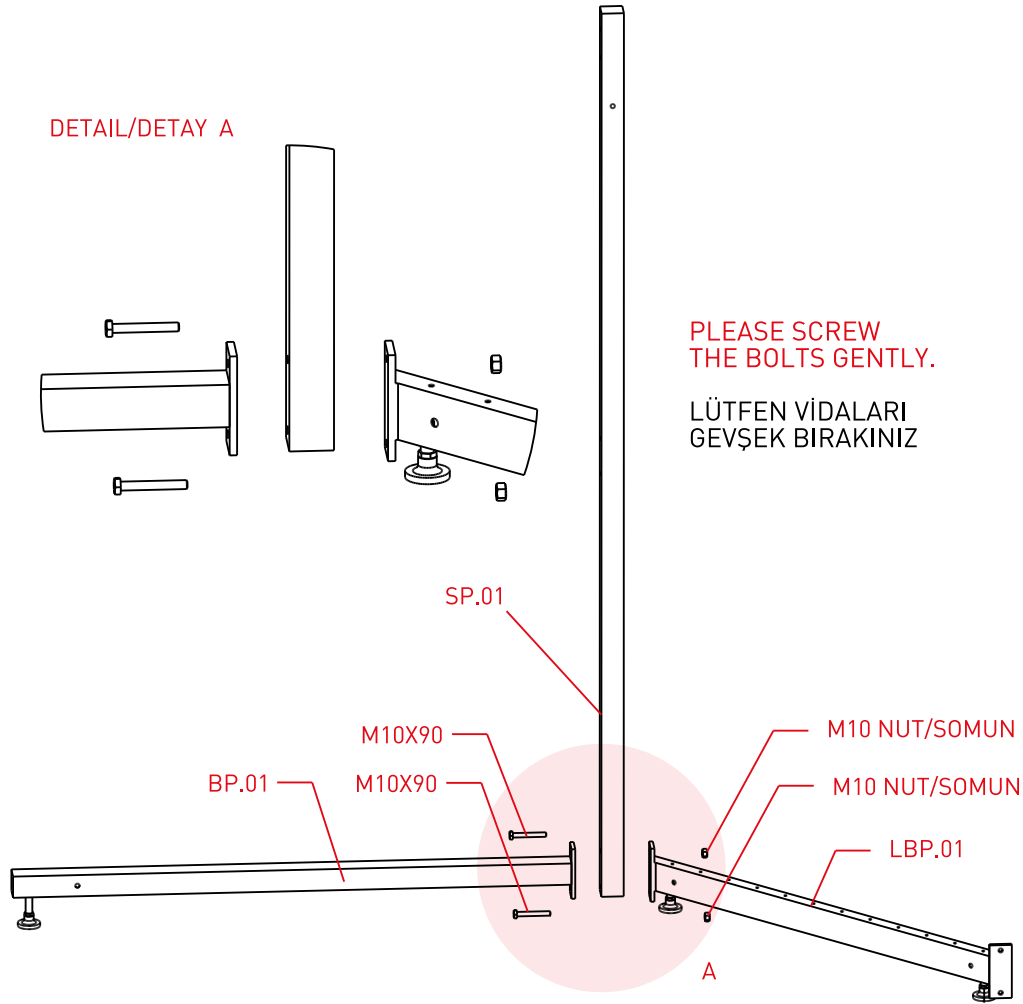
- |  |  |
|--|--|
| 1 - DİKME PROFİL ... STRAIGHT PROFILE          | 7 - ÜST KUŞAK PROFİLİ ... UPPER BELT PROFILE |
| 2 - AYAK PROFİLİ ... BASE PROFILE              | 8 - ÇAPRAZ KUŞAKLAR ... CROSSWISE BELTS      |
| 3 - ALT KUŞAK ... LOWER BELT PROFILE           | 9 - TAŞIYICI KOL ... CARRIER ARS             |
| 4 - DESTEK PROFİLİ ... SUPPORTER PROFILE       | 10 - KLİPS ... CLIP                          |
| 5 - TUTAMAK ... HOLDER                         | 11 - PLASTİK AYAK ... PLASTIC BASE           |
| 6 - ORTA KUŞAK PROFİLİ ... MIDDLE BELT PROFILE |  |

**SOL YAN AYAK VE DİKME PROFİLİ MONTAJI**

**ASSEMBLING OF LEFT SIDE BASE AND STRAIGHT PROFILE**

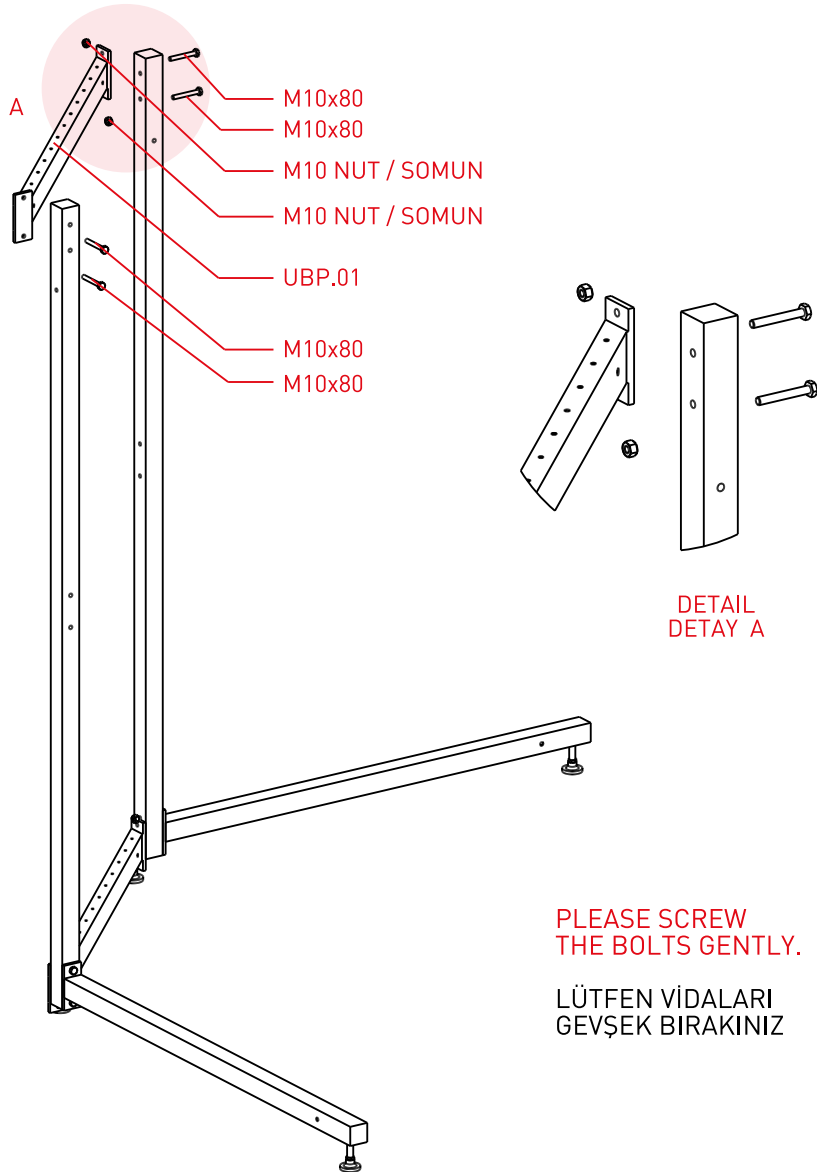
**SAĞ YAN AYAK VE DİKME PROFİLİ MONTAJI**

**ASSEMBLING OF RIGHT SIDE BASE AND STRAIGHT PROFILE**



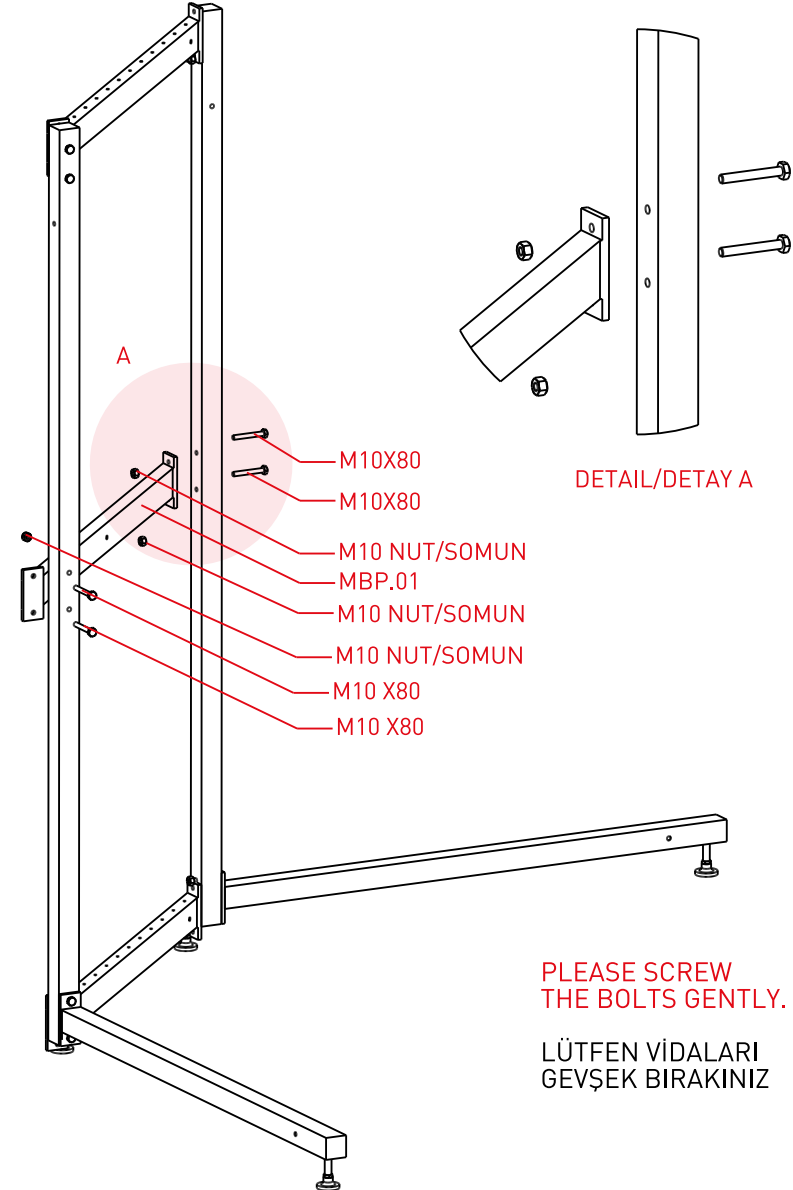
ÜST KUŞAK PROFİLİNİN MONTAJI

ASSEMBLING OF UPPER BELT PROFILE



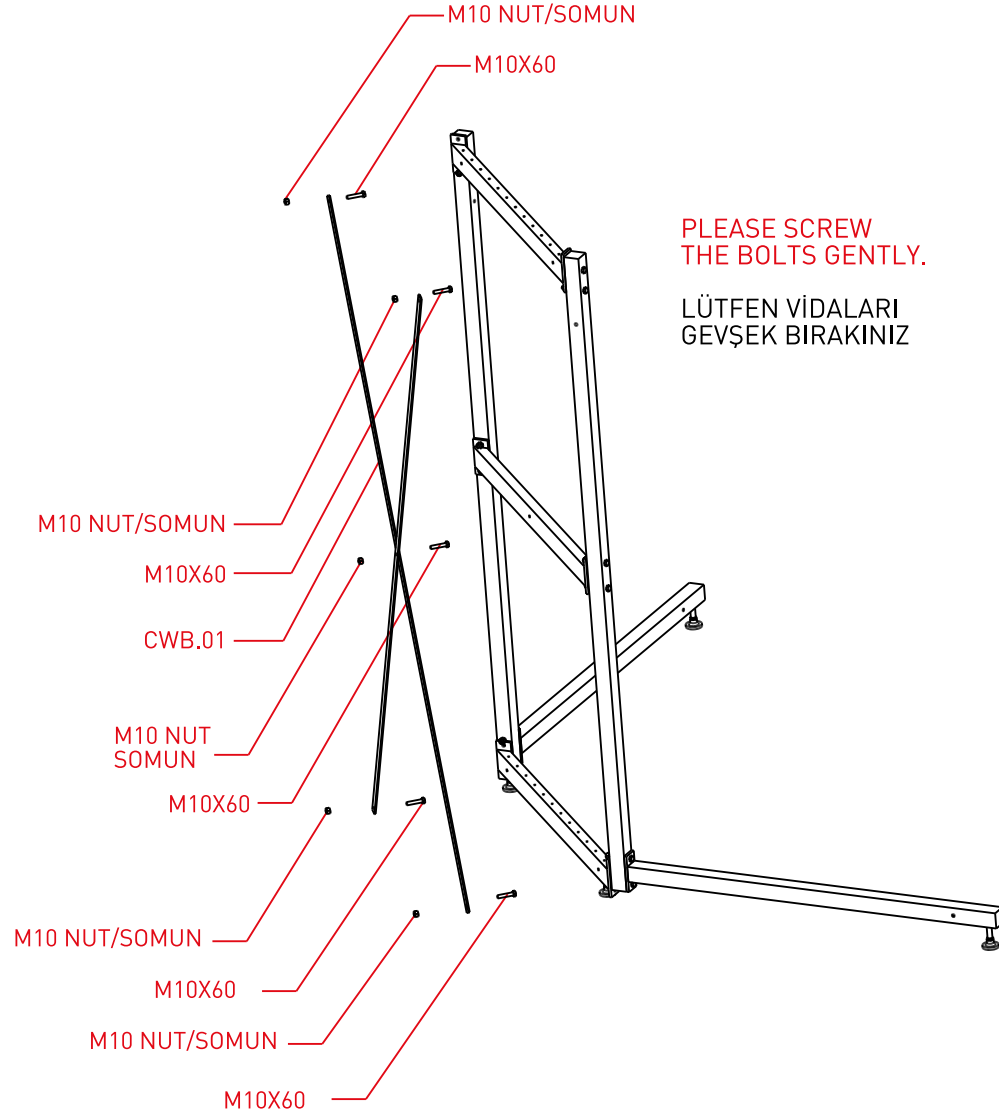
ORTA KUŞAK PROFİLİNİN MONTAJI

ASSEMBLING OF MIDDLE BELT PROFILE



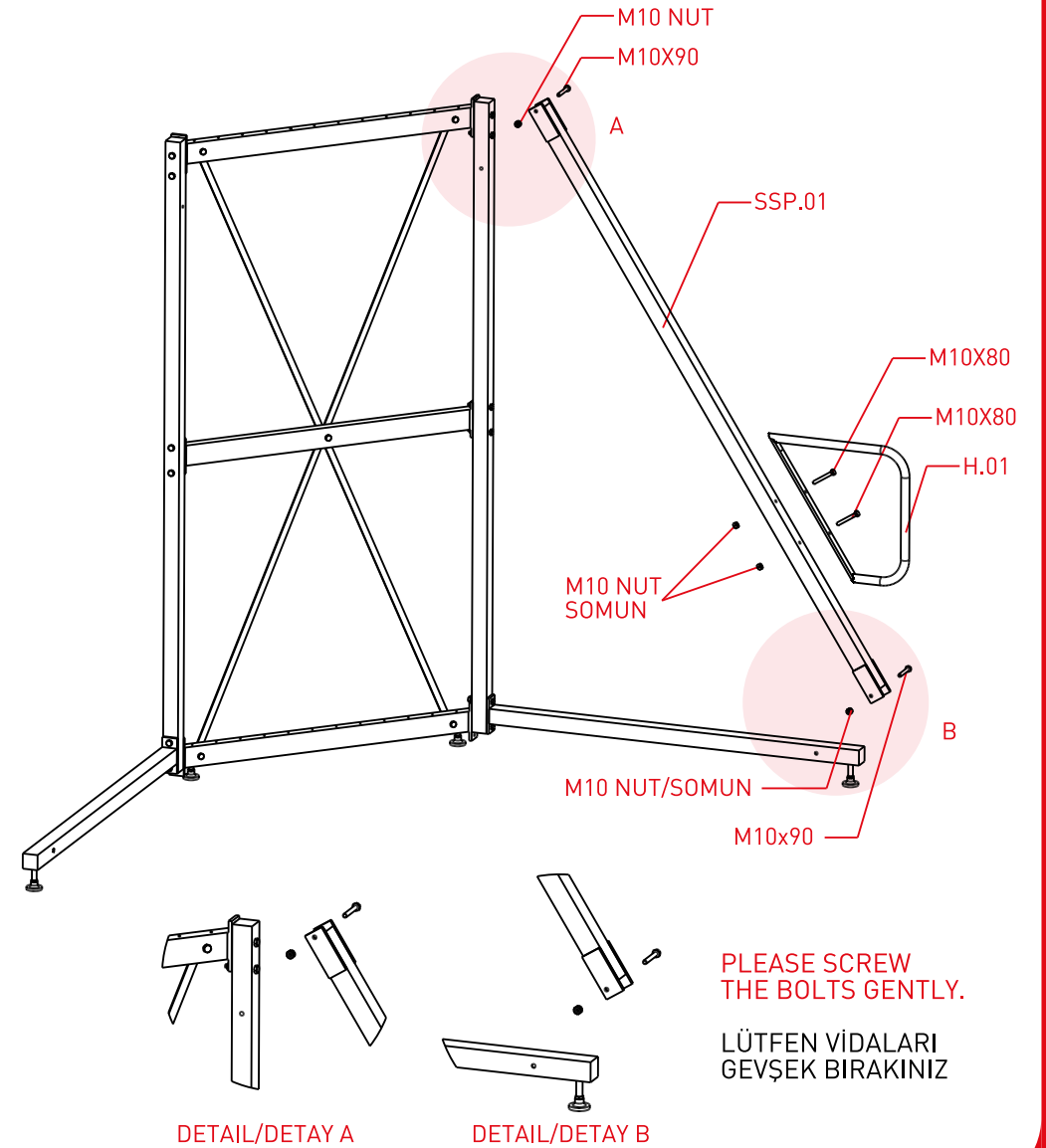
ÇAPRAZ KUŞAKLARIN MONTAJI

ASSEMBLING OF CROSSWISE BELTS



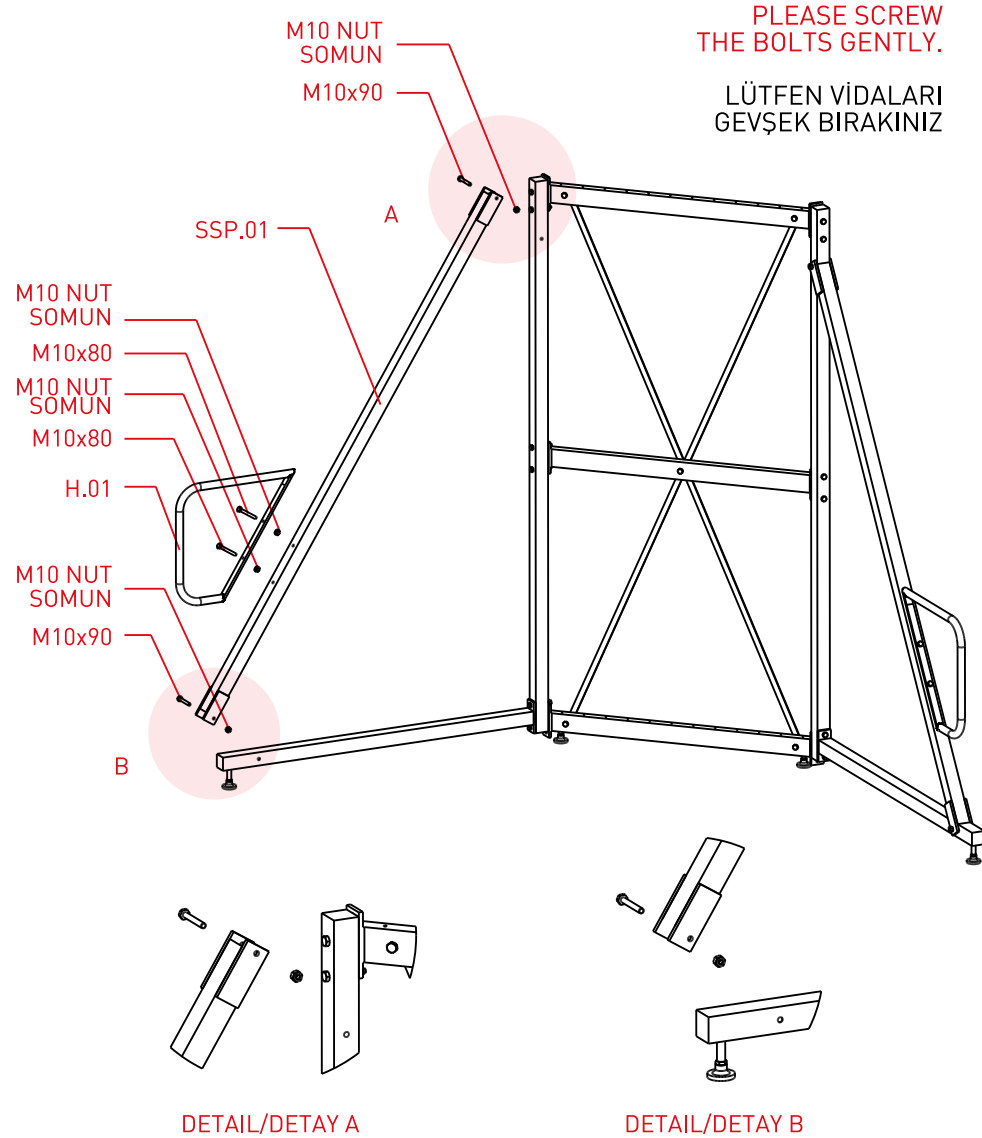
SAĞ YAN DESTEK PROFİLİNİN MONTAJI

ASSEMBLING OF RIGHT SIDE SUPPORTER PROFILE AND HOLDER



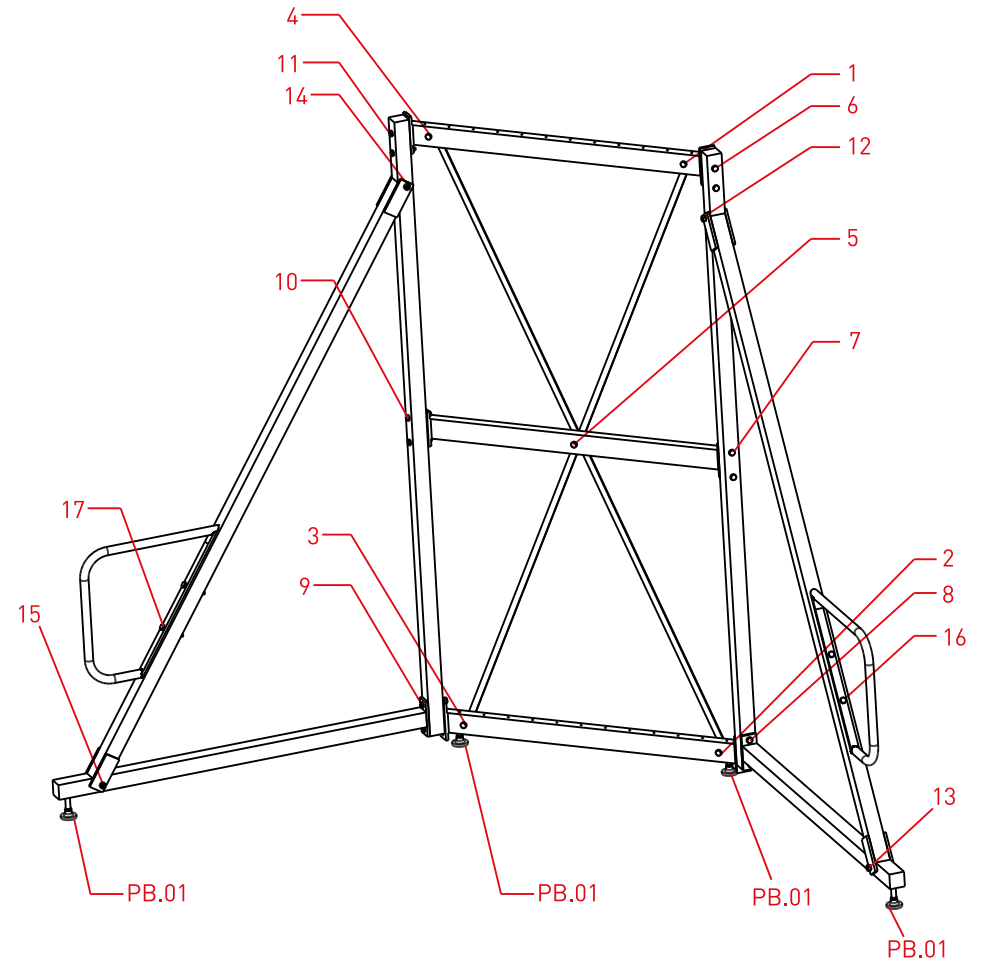
**SOL YAN DESTEK PROFİLİNİN MONTAJI**

**ASSEMBLING OF LEFT SIDE SUPPORTER PROFILE AND HOLDER**



**VİDALARIN SIKILMASI VE DENGEEYE ALMA**

**SCREWING THE BOLTS AND BALANCING**

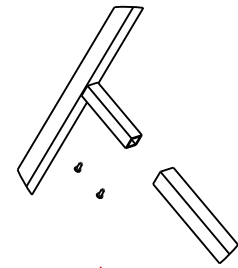
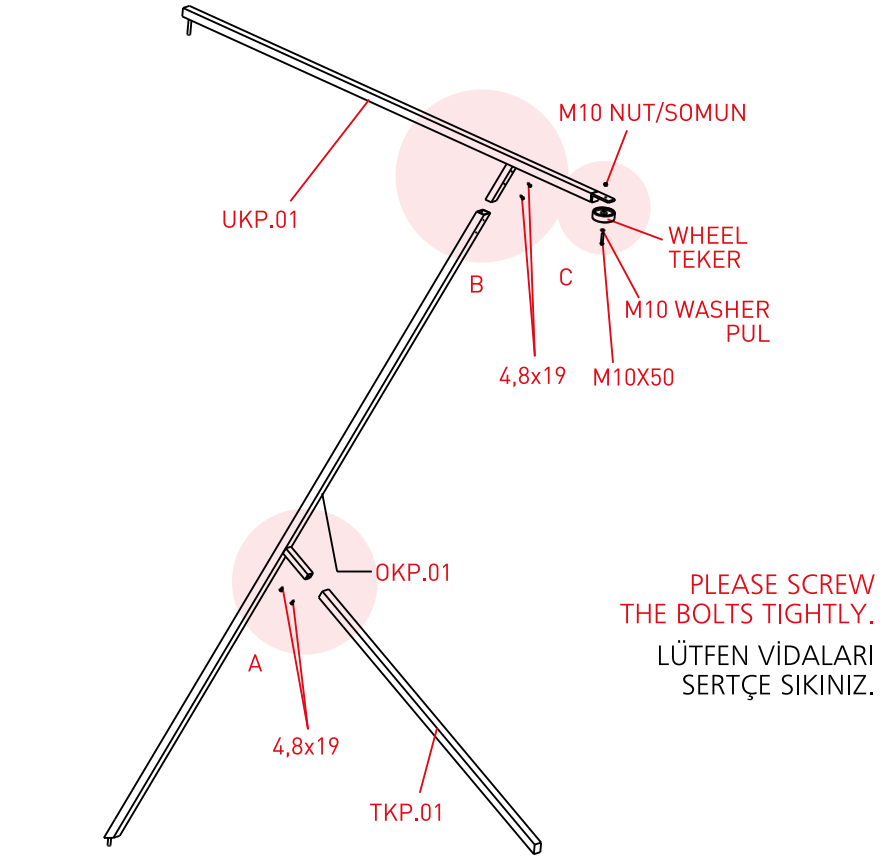


PLEASE SCREW THE BOLTS TIGHTLY IN ORDER TO THE SCHEME.  
LÜTFEN VİDALARI ŞEMADA BELİRTİLEN SIRAYA UYGUN OLARAK SIKINIZ.

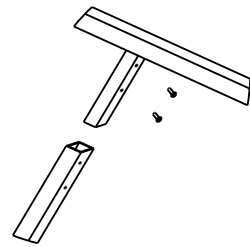
PLEASE BALANCE THE STAND BY ADJUSTING THE PLASTIC BASES.  
LÜTFEN STANDI PLASTİK AYAKLARI AYARLAYARAK DENGEEYE ALINIZ.

**TAŞIYICI KOLLARIN HAZIRLANMASI**

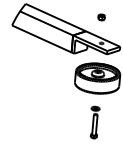
**PREPARING THE CARRIER ARMS**



DETAIL / DETAY A



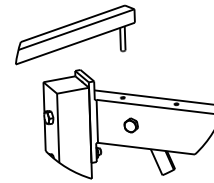
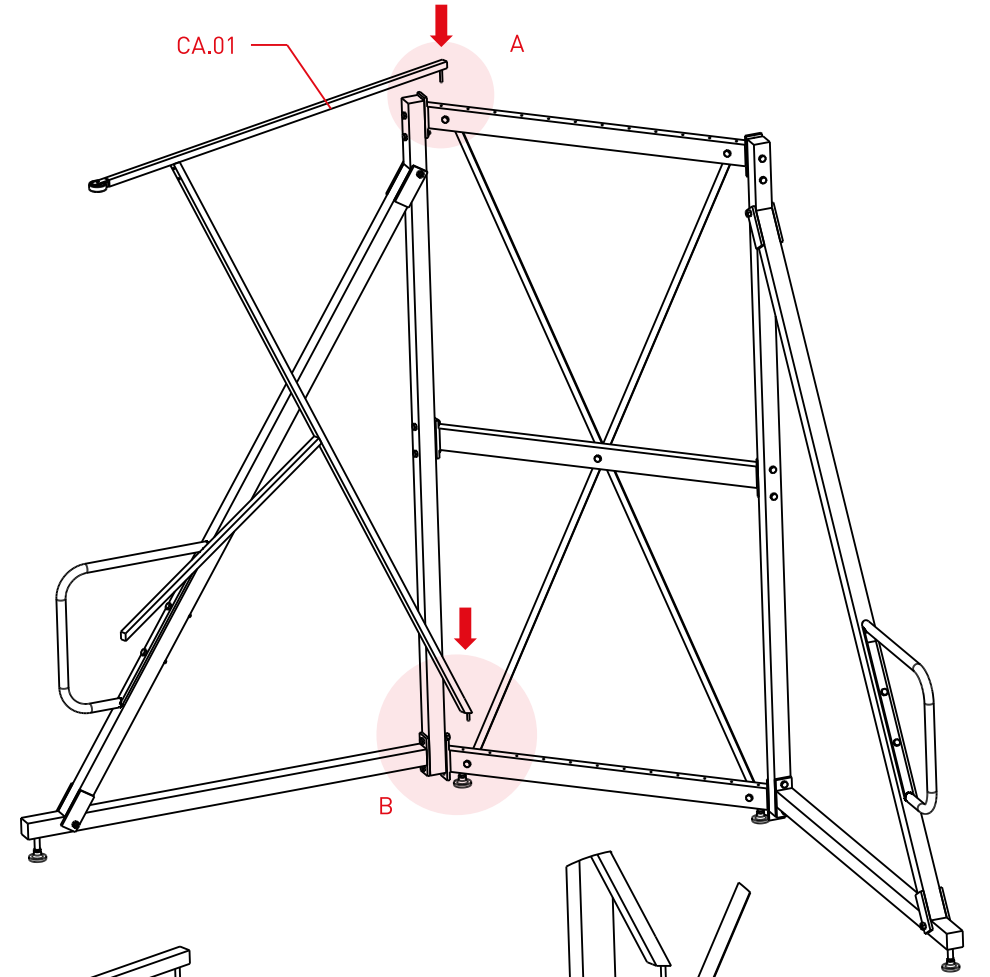
DETAIL / DETAY B



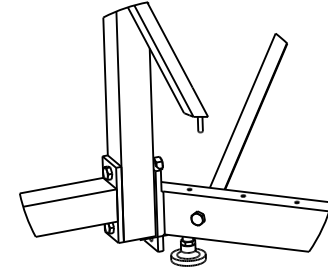
DETAIL / DETAY C

**TAŞIYICI KOLLARIN MONTAJI**

**ASSEMBLING OF THE CARRIER ARMS**



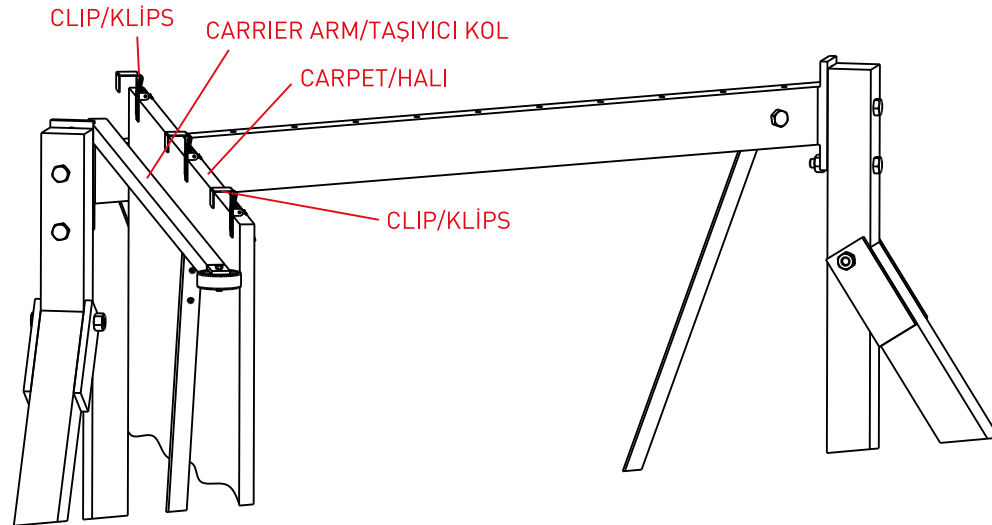
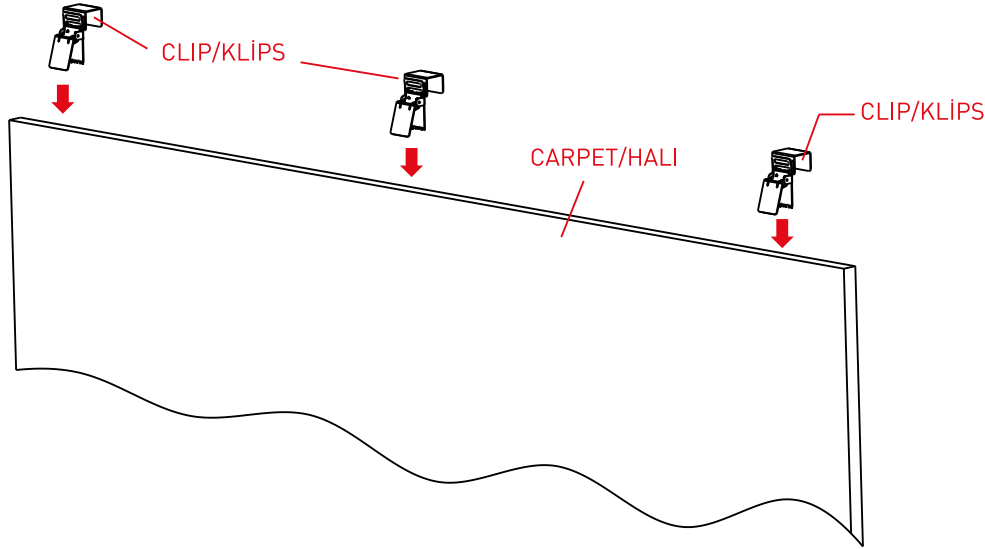
DETAIL/DETAY A



DETAIL/DETAY B

**KLİPSLERİN TAKILMASI VE HALİNİN ASILMASI**

**FASTENING THE CLIPS AND HANGING THE CARPET**



**DİKKAT ;**

BU KILAVUZDA YANSITILMAMIŞ HERHANGİ BİR DEĞİŞİKLİK FARKEDERSENİZ, LÜTFEN, TEKNİK DEPARTMANIMIZLA İRTİBAT KURUNUZ.

AKDENİZ A.Ş. AÇIKLAMALARDA BELİRTİLEN MONTAJ SIRASINA UYULMADIĞI TAKTİRDE OLUŞABİLECEK HERHANGİ BİR ZARARDAN SORUMLU DEĞİLDİR.

AKDENİZ A.Ş. BU KILAVUZDA BELİRTİLEN ÜRÜN MODELİNDE VE DİĞER MODELLERİNDE ÖNCEDEN HABER VERMEDEN DEĞİŞİKLİK YAPMA HAKKINI SAKLI TUTAR.

**ATTENTION;**

ANY TYPE OF MODIFICATION NOT REFLEXED IN THIS MANUAL, IT SHOULD BE NOTIFIED TO OUR TECHNICAL DEPARTMENT.

AKDENİZ A.Ş. DECLINES ALL RESPONSIBILITY IN THE CASE OF DAMAGES PRODUCED IN THE INSTALLATION IF THE INSTRUCTIONS GIVEN HAVE NOT BEEN FOLLOWED.

AKDENİZ A.Ş. RESERVES THE RIGHTS TO MODIFY THE PRODUCTS SPECIFICATIONS OF THIS TECHNICAL BROCHURE WITHOUT ANY PREVIOUS ADVICE.